



## I-8026W

6-ch Analog Input, 2-ch Analog Output,  
2-ch Digital Input and 2-ch Digital Output Module

### Introduction

The I-8026W is a multifunction module that includes 6 Analog Input channels, 2 Analog Output channels, 2 Digital Input channels, 2 Digital Output channels. It provides a programmable input range on all Analog Inputs ( $\pm 10$  VDC,  $\pm 5$  VDC,  $\pm 2.5$  VDC,  $\pm 1.25$  VDC,  $\pm 20$  mA (Jumper Select), Analog Outputs are 12-bit at  $\pm 10$  VDC,  $\pm 5$  VDC,  $0 \sim 10$  VDC,  $0 \sim 5$  VDC,  $0 \sim 20$  mA. Each analog input can be configured for an individual range and provides a high overvoltage protection of 240 Vrms. Voltage and current inputs/outputs are jumper selectable.

### System Specifications

LED Display	
System LED Indicator	1 LED as Power Indicator
I/O LED Indicator	16 LEDs as I/O Status Indicator
Isolation	
Intra-module Isolation, Field-to-Logic	2500 VDC
EMS Protection	
ESD (IEC 61000-4-2)	$\pm 4$ kV Contact for each Terminal
Power	
Consumption	1.8 W Max.
Mechanical	
Dimensions (W x L x H)	30 mm x 102 mm x 115 mm
Environment	
Operating Temperature	$-25 \sim +75$ °C
Storage Temperature	$-40 \sim +85$ °C
Humidity	10 ~ 90 % RH, Non-condensing

### Features

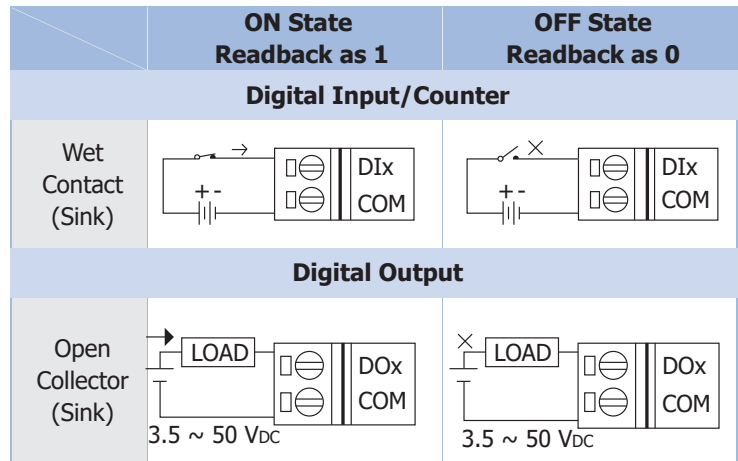
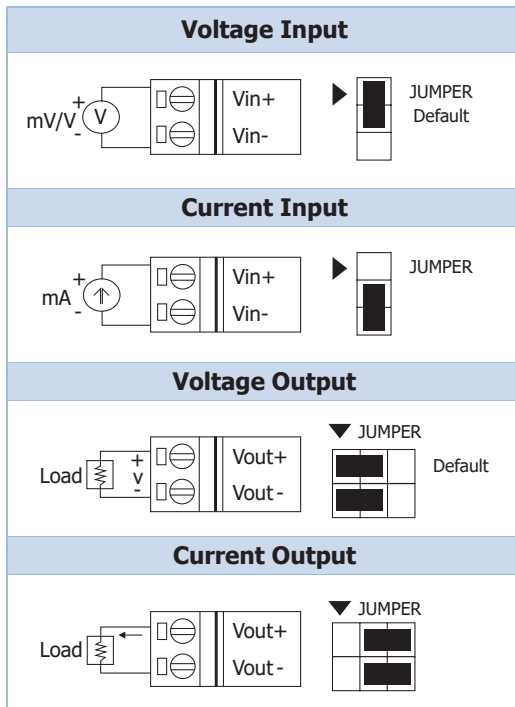
- Multifunction (6 AI, 2 AO, 2 DI and 2 DO)
- Overload and Short Circuit Protection for Digital Output
- Individual Channel Configuration
- 4 kV ESD Protection
- 3000 VDC Intra-module Isolation
- Wide Operating Temperature Range:  $-25 \sim +75$  °C



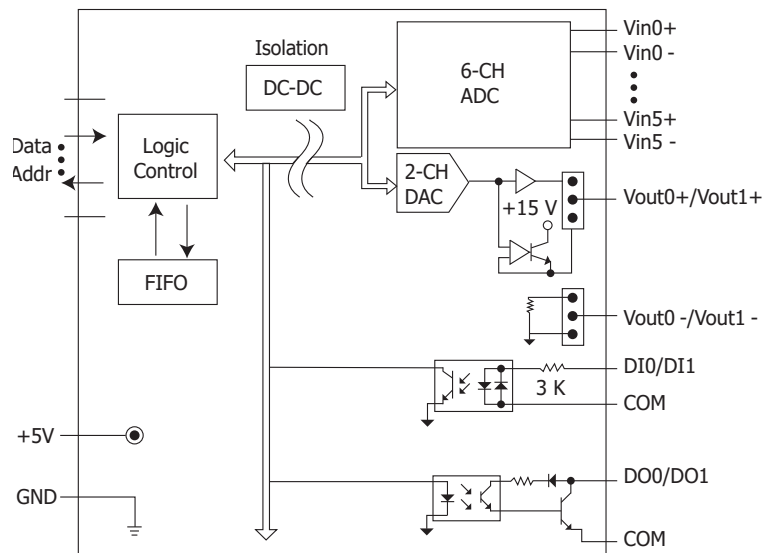
### I/O Specifications

Analog Input	
Channels	6
Range	$\pm 10$ V, $\pm 5$ V, $\pm 2.5$ V, $\pm 1.25$ V, $\pm 20$ mA (Jumper Select)
Resolution	12-bit
Accuracy	0.2% of FSR $\pm 1$ LSB
Overvoltage Protection	240 Vrms
Input Impedance	$> 2$ M $\Omega$
Sampling Rate	Max. to 9k Samples/Sec.
Individual Channel Configuration	Yes
Analog Output	
Channels	2
Range	$\pm 10$ V, $\pm 5$ V, $0 \sim 10$ V, $0 \sim 5$ V, $0 \sim 20$ mA (Jumper Select)
Resolution	12-bit
Accuracy	$\pm 0.2\%$ of FSR
Voltage Output Capability	10 VDC @ 20 mA
Digital Input	
Channels	2
Type	Wet Contact
Sink/Source (NPN/PNP)	Sink/Source
ON Voltage Level	$+10 \sim +30$ VDC
OFF Voltage Level	$+4$ VDC Max.
Digital Output	
Channels	2
Type	Isolated Open Collector
Sink/Source (NPN/PNP)	Sink
Load Voltage	$+5 \sim +30$ VDC
Load Current	100 mA/Channel

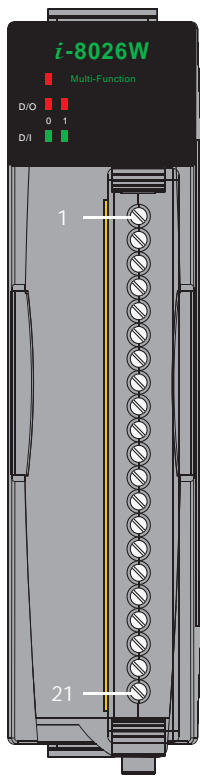
## Wire Connections



## Internal I/O Structure

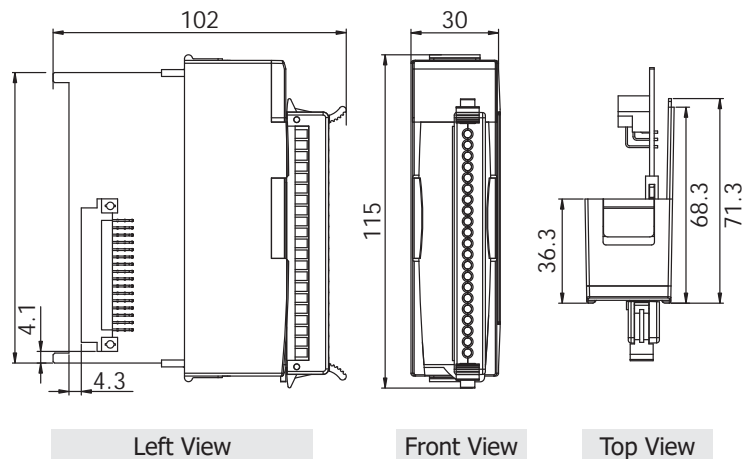


## Pin Assignments



Terminal No.	Pin Assignment
01	Vin0+
02	Vin0-
03	Vin1+
04	Vin1-
05	Vin2+
06	Vin2-
07	Vin3+
08	Vin3-
09	Vin4+
10	Vin4-
11	Vin5+
12	Vin5-
13	Vout0+
14	Vout0-
15	Vout1+
16	Vout1-
17	DO0
18	DO1
19	DI1
20	COM

## Dimensions (Units: mm)



## Ordering Information

**I-8026W-G CR** 6-channel Analog Input, 2-channel Analog Output, 2-channel Digital Input and 2-channel Digital Output Module (RoHS)