



XP-8031-WES7/XP-8131-WES7/XP-8331-WES7/XP-8731-WES7

Standard PAC with x86 CPU and WES7

Features

- Windows Embedded Standard 7 SP1 x86 (32-bit)
- x86 CPU, 1 GHz, dual-core
- 2 GB DDR3 SDRAM
- 32 GB SSD
- VGA Port Output
- 2 10/100/1000M Ethernet Ports
- Redundant Power Input



Introduction

The XP-8000-WES7 are WES7 based PACs that combine computing, I/O, and operator interface into a single unit, and provide the perfect solution for integrating HMI, data acquisition and control in an individual PAC. It is equipped with a x86 (1 GHz, dual-core) CPU, 0/1/3/7 I/O expansion slot(s) and a variety of connectives including dual Gigabit Ethernet, VGA, USB port, RS-232 and RS-485 interface. Local I/O slots are available to use our I-8K and I-87K series I/O modules and remote I/O expansions are available to use our Ethernet I/O modules and RS-485 I/O modules.

Since WES7 has the same Win32 API as Windows 7, most popular applications on desktop can run on WES7 based PACs.

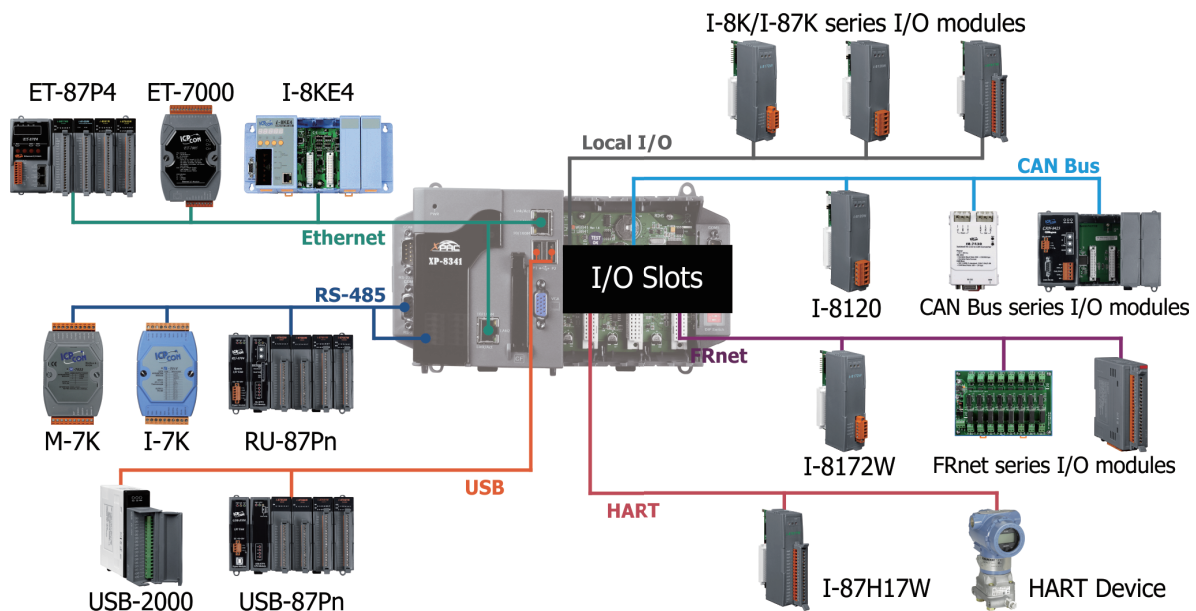
Windows Embedded Standard 7.0



Most of the popular features in Windows software are included, such as EWF (Enhanced Write Filter), Remote Desktop Connection, IIS, ASP/ASP.NET, .NET Framework 4.5 and also supports rich development software solutions, such as VS 6.0, VS.NET, VB, Delphi, BCB, InduSoft.

- Full Win32 API
- Remote Desktop Protocol 5.1
- Silverlight 5
- Enhanced Write Filter
- .NET Framework 3.5, 4.0, 4.5, 4.7

Applications

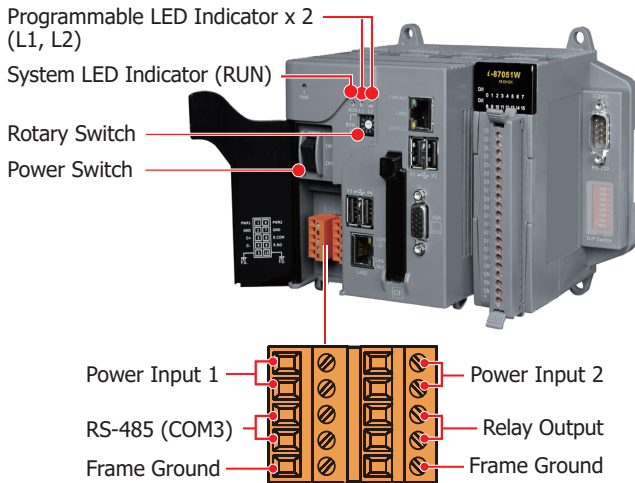


■ Specifications

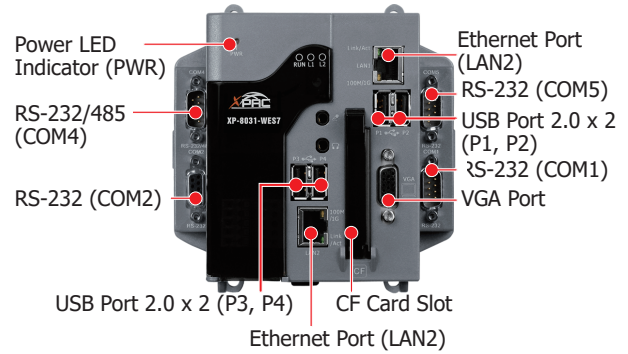
Model	XP-8031-WES7	XP-8131-WES7	XP-8331-WES7	XP-8731-WES7
Software				
OS	Windows Embedded Standard 7 SP1 x86 (32-bit)			
Service	IE11, FTP Server, IIS 7.0, ASP (Java Script, VB Script)			
Framework Support	.Net Compact Framework 3.5 ~ 4.5			
Multilanguage Support	English, German, French, Spanish, Portuguese, Russian, Italian, Korean, Japanese, Simplified Chinese, Traditional Chinese			
SDK	DII for VC, DII for Visual Studio.Net			
Main Unit				
CPU	x86 CPU, 1 GHz, dual-core			
64-bit Hardware Serial Number	Yes			
System Memory	2GB DDR3 SDRAM, 32GB Flash			
Storage	16 GB CF card (up to 32 GB)			
Non-Volatile Memory	512 KB MRAM, 16 KB EEPROM			
Real Time Clock	Provide seconds, minutes, hours, dates, day of week, month, year			
Watchdog Timer	Dual Watchdog Timer			
Display				
Signal	VGA			
Resolution	1920 x 1080, 1024 x 768, 800 x 600 , 640 x 480			
LED Indicators				
Status	1 x System, 1 x Power, 2 x Programmable			
I/O Expansion				
I/O Type	I-8K, I-87K series			
Slots	-	1	3	7
COM Ports				
Ports	3 x RS-232, 1 x RS-485 (3000 VDC Isolated), 1 x RS-232/RS-485	2 x RS-232, 1 x RS-485 (3000 VDC Isolated), 1 x RS-232/RS-485		
HMI				
Buzzer	Yes			
Rotary Switch	1 x 10 Position (0 ~ 9)			
DIP Switch	8-bit for address			
Audio				
Cable	Microphone-in and Earphone-out			
Ethernet				
Ports	2 x RJ-45, 10/100/1000 Base-TX			
USB				
Ports	4 x USB 2.0			
Power				
Capacity	20W	25W	30W	35W
Input Range	+10 ~ 30 VDC (1 kV Isolated)			
Redundant Power Inputs	Yes, with one power relay (1 A @ 24 VDC) for alarm			
Consumption	12.0 (0.5 A @ 24 VDC)	16.6W (0.69 A @ 24 VDC)	16.8W (0.7 A @ 24 VDC)	18W (0.75 A @ 24 VDC)
Mechanical				
Dimensions(W x L x H)	137 x 132 x 125 (mm)	169 x 132 x 125 (mm)	231 x 132 x 125 (mm)	355 x 132 x 125 (mm)
Installation	DIN-Rail, Wall mounting			
Environmental				
Operating Temperature	-25 ~ +75 ° C			
Storage Temperature	-30 ~ +80 ° C			
Humidity	10 ~ 90 % RH, Non-condensing			

Appearance

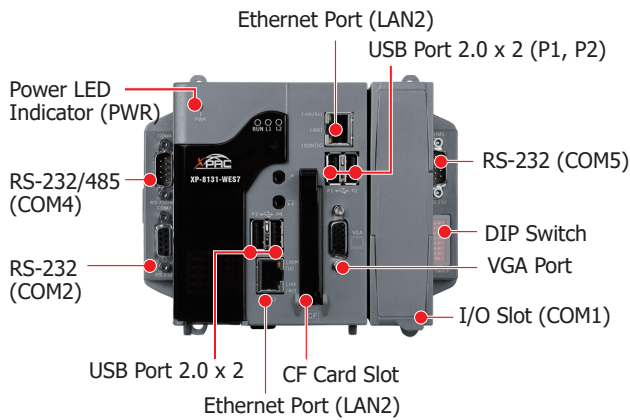
XP-8000-WES7



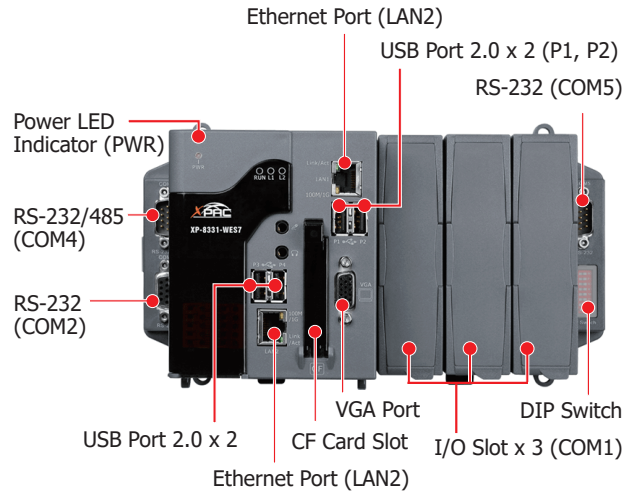
XP-8031-WES7



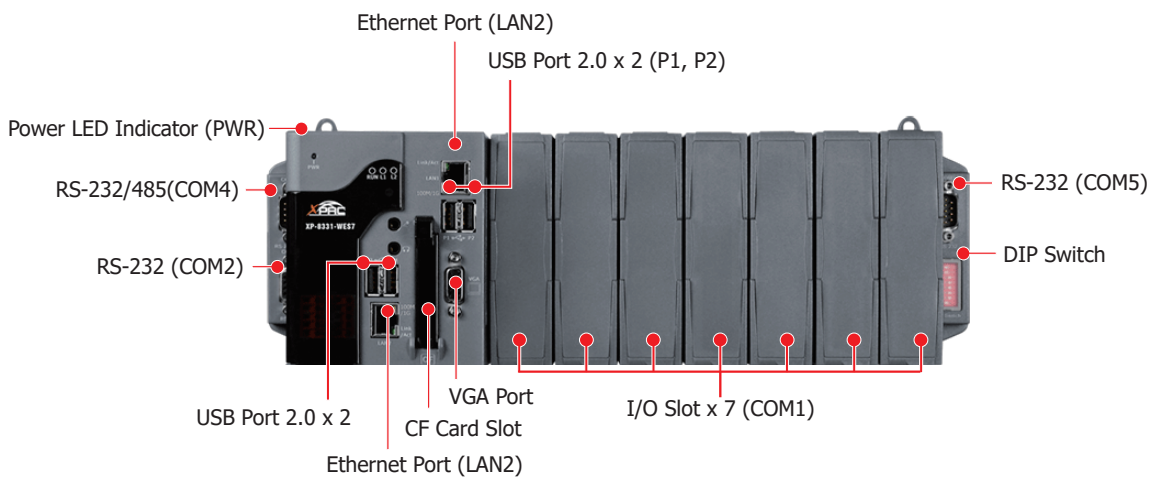
XP-8131-WES7



XP-8331-WES7

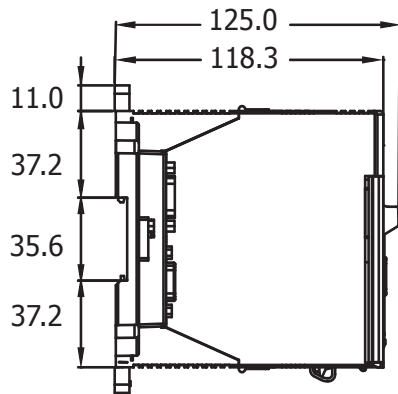


XP-8731-WES7



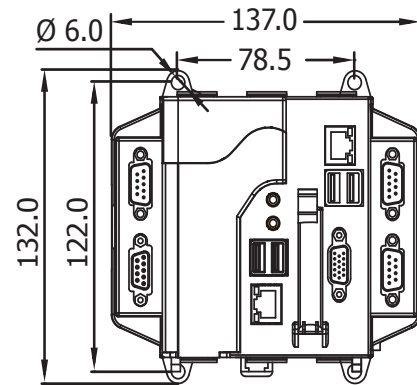
■ Dimensions (Units: mm)

XP-8000-WES7



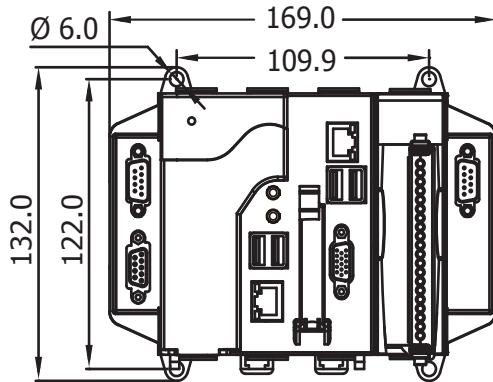
Left Side View

XP-8031-WES7



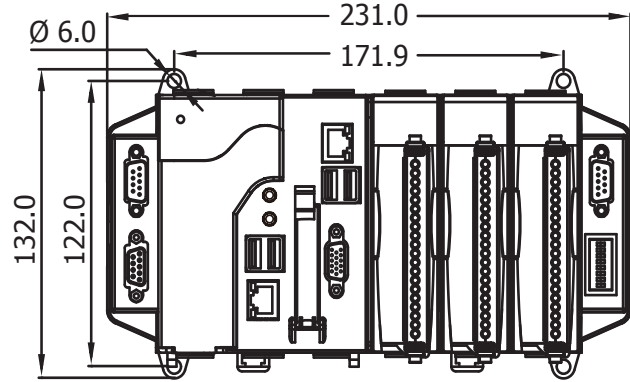
Front View

XP-8131-WES7



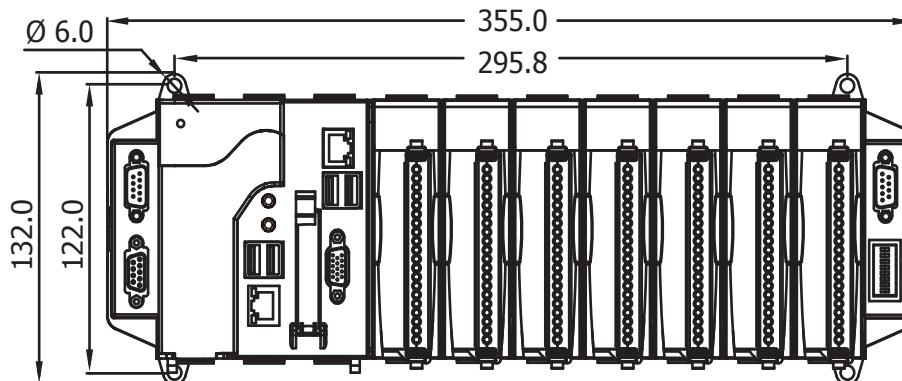
Front View

XP-8331-WES7



Front View

XP-8731-WES7



Front View

■ Ordering Information

XP-8031-WES7 CR	Standard PAC with x86 CPU and WES7 (RoHS)
XP-8131-WES7 CR	1-slot Standard PAC with x86 CPU and WES7 (RoHS)
XP-8331-WES7 CR	3-slot Standard PAC with x86 CPU and WES7 (RoHS)
XP-8731-WES7 CR	7-slot Standard PAC with x86 CPU and WES7 (RoHS)