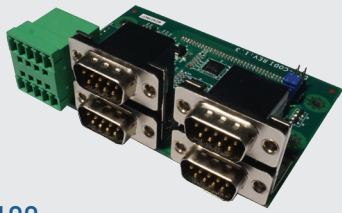


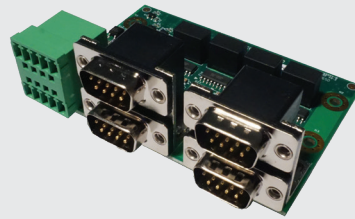
Cincoze CMI I/O Module



CMI-CD100

CMI Module with 4x RS-232/422/485 Serial Ports, 8x Optical Isolated DIO (4 in/4 out)

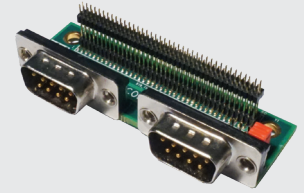
- Interface: CMI
- Number of Serial Ports: 4, DB9
- Serial Standards: RS-232/422/485
- Outputs Voltage: 5V/12V
- Electrical Isolation: NA
- Bauderate: 921.6 Kbps
- RS-232: DCD, RXD, TXD, DTR, GND, DSR, RTS, CTS, RI
- RS-422: TXD+, TXD-, RXD+, RXD-
- RS-485: DATA+, DATA-
- Number of DIO Ports: 8x Optical Isolated DIO (4DI, 4DO), 10 pin Terminal Block
- Optical Isolated DIO: 3.75kV rms
- Dimension (WxDxH): 90 x 62 x 30 mm



CMI-ICD100

CMI Module with 4x Electrical Isolated RS-232/422/485 Serial Ports, 8x Optical Isolated DIO (4 in/4 out)

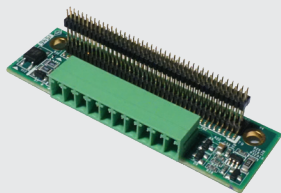
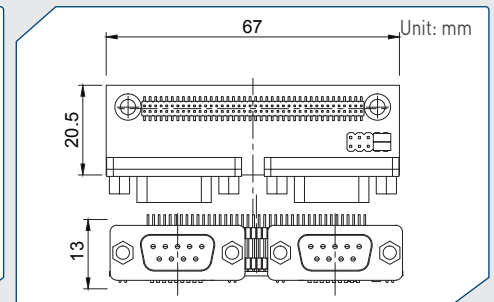
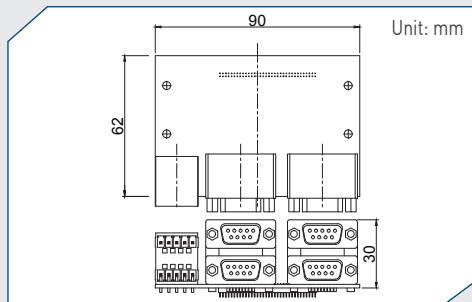
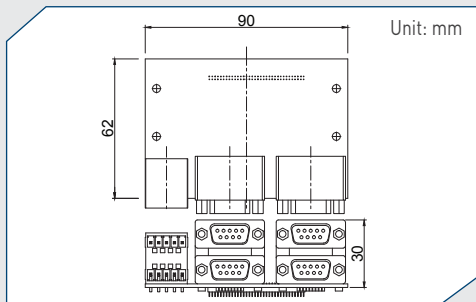
- Interface: CMI
- Number of Serial Ports: 4, DB9
- Serial Standards: RS-232/422/485
- Outputs Voltage: NA
- Electrical Isolation: 2.75KV rms
- Bauderate: 921.6 Kbps
- RS-232: RXD, TXD, GND, RTS, CTS
- RS-422: TXD+, TXD-, RXD+, RXD-
- RS-485: DATA+, DATA-
- Number of DIO Ports: 8x Optical Isolated DIO (4DI, 4DO), 10 pin Terminal Block
- Optical Isolated DIO: 3.75kV rms
- Dimension (WxDxH): 90 x 62 x 30 mm



CMI-COM102

CMI Module with 2x RS232/422/485 (Support 5V/12V)

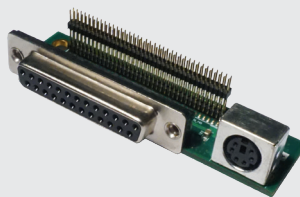
- Interface: CMI
- Number of Serial Ports: 2, DB9
- Serial Standards: RS-232/422/485
- Outputs Voltage: 5V/12V
- Electrical Isolation: NA
- Bauderate: 921.6 Kbps
- RS-232: DCD, RXD, TXD, DTR, GND, DSR, RTS, CTS, RI
- RS-422: TXD+, TXD-, RXD+, RXD-
- RS-485: DATA+, DATA-
- Dimension (WxDxH): 67 x 20.5 x 13 mm



CMI-DIO100

CMI Module with 8x Optical Isolated DIO (4 in/4 out)

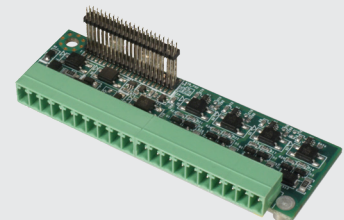
- Interface: CMI
- Number of DIO Ports: 8x Optical Isolated DIO (4DI, 4DO), 10 pin Terminal Block
- Optical Isolated DIO: 3.75kV rms
- Dimension (WxDxH): 67 x 20.5 x 13 mm



CMI-LPPS102

CMI Module with 1x LPT Port, 1x PS/2

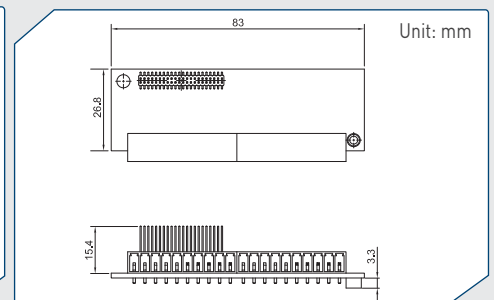
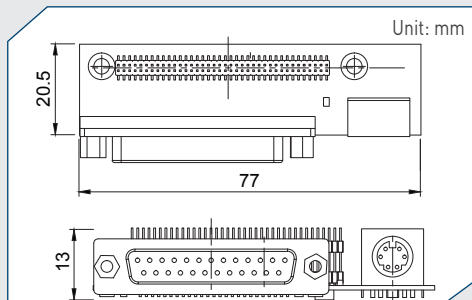
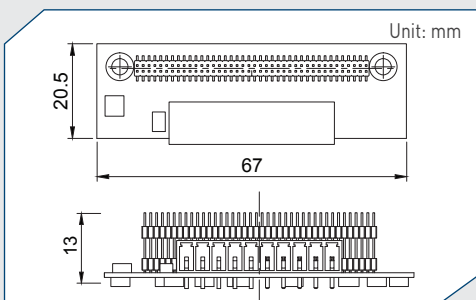
- Interface: CMI
- PS/2 Port: 1x 6-pin mini-DIN connector
- Parallel Port: 1x DB25
- Dimension (WxDxH): 77 x 20.5 x 13 mm



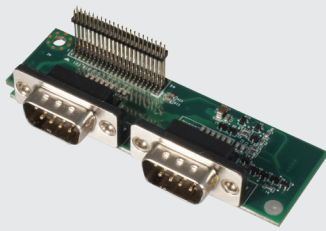
CMI-DIO01

CMI Module with 16x Optical Isolated DIO (8 in/8 out)

- Interface: CMI
- Number of DIO Ports: 16x Optical Isolated DIO (8DI, 8DO), 20 pin Terminal Block
- Optical Isolated DIO: 3.75kV rms
- Dimension (WxDxH): 83 x 26.8 x 15.4 mm



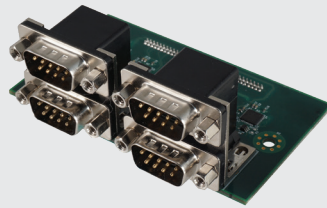
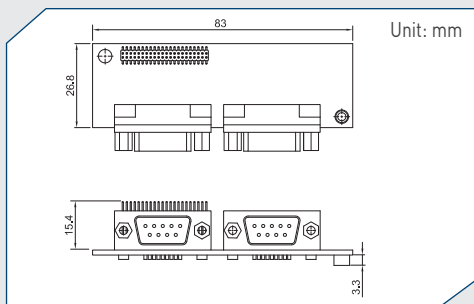
Cincoze CMI I/O Module



CMI-COM01

CMI Module with 2x RS232/422/485 (Support 5V/12V)

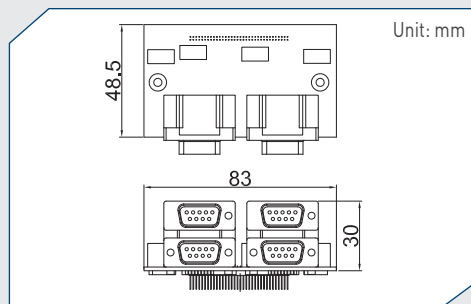
- Interface: CMI
- Number of Serial Ports: 2, DB9
- Serial Standards: RS-232/422/485
- Outputs Voltage: 5V/12V
- Electrical Isolation: NA
- Bauderate: 921.6 Kbps
- RS-232: DCD, RXD, TXD, DTR, GND, DSR, RTS, CTS, RI
- RS-422: TXD+, TXD-, RXD+, RXD-
- RS-485: DATA+, DATA-
- Dimension (WxDxH): 83 x 26.8 x 15.4 mm



CMI-COM02

CMI Module with 4x RS232/422/485 Serial Ports (Support 5V/12V)

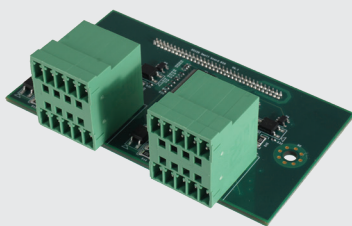
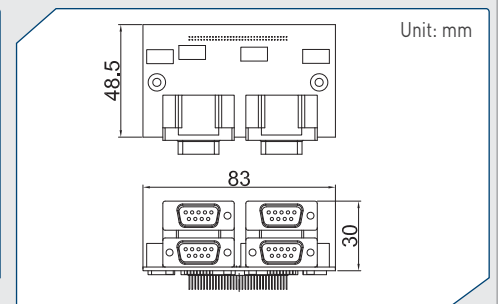
- Interface: CMI
- Number of Serial Ports: 4, DB9
- Serial Standards: RS-232/422/485
- Outputs Voltage: 5V/12V
- Electrical Isolation: NA
- Bauderate: 921.6 Kbps
- RS-232: DCD, RXD, TXD, DTR, GND, DSR, RTS, CTS, RI
- RS-422: TXD+, TXD-, RXD+, RXD-
- RS-485: DATA+, DATA-
- Dimension (WxDxH): 83 x 48.5 x 30 mm



CMI-ICOM01

CMI Module with 4x Electrical Isolated RS-232/422/485 Serial Ports

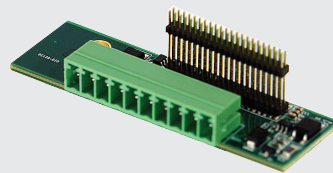
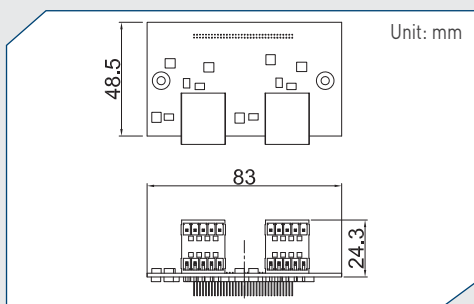
- Interface: CMI
- Number of Serial Ports: 4, DB9
- Serial Standards: RS-232/422/485
- Outputs Voltage: 5V/12V
- Electrical Isolation: 2.75kV rms
- Bauderate: 921.6 Kbps
- RS-232: DCD, RXD, TXD, DTR, GND, DSR, RTS, CTS, RI
- RS-422: TXD+, TXD-, RXD+, RXD-
- RS-485: DATA+, DATA-
- Dimension (WxDxH): 83 x 48.5 x 30 mm



CMI-DI002

CMI Module with 16x Optical Isolated DIO (8 in/8 out)

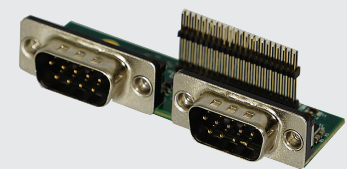
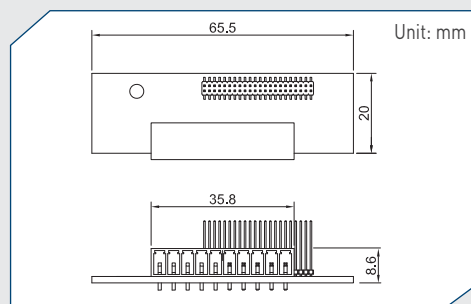
- Interface: CMI
- Number of DIO Ports: 16x Optical Isolated DIO (8DI, 8DO), 20 pin Terminal Block
- Optical Isolated DIO: 3.75kV rms
- Dimension (WxDxH): 83 x 48.5 x 24.3 mm



CMI-DI003

CMI Module with 8x Optical Isolated DIO (4 in/4 out)

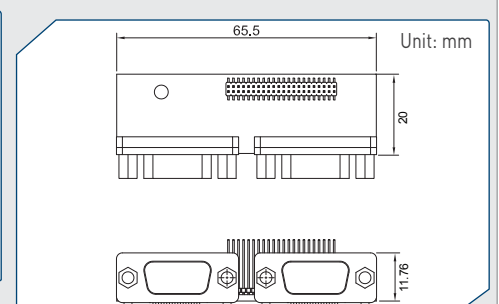
- Interface: CMI
- Number of DIO Ports: 8x Optical Isolated DIO (4DI, 4DO), 10 pin Terminal Block
- Optical Isolated DIO: 3.75kV rms
- Dimension (WxDxH): 65.5 x 20 x 8.6 mm



CMI-COM03

CMI Module with 2x RS232/422/485 Serial Ports (Support 5V/12V)

- Interface: CMI
- Number of Serial Ports: 2, DB9
- Serial Standards: RS-232/422/485
- Outputs Voltage: 5V/12V
- Electrical Isolation: 2.75kV rms
- Bauderate: 921.6 Kbps
- RS-232: DCD, RXD, TXD, DTR, GND, DSR, RTS, CTS, RI
- RS-422: TXD+, TXD-, RXD+, RXD-
- RS-485: DATA+, DATA-
- Dimension (WxDxH): 65.5 x 20 x 11.78 mm



Cincoze CMI I/O Module

CMI I/O Module Compatible List

Model No.	CMI-CD100	CMI-ICD100	CMI-COM102	CMI-DIO100	CMI-LPPS102	CMI-DIO01	CMI-DIO02	CMI-DIO03	CMI-COM01	CMI-COM02	CMI-COM03	CMI-ICOM01
DA-1000			V	V	V							
DA-1100			V	V	V							
DC-1200								V			V	
DS-1000		V										
DS-1001		V										
DS-1002		V										
DS-1100	V	V										
DS-1101	V	V										
DS-1102	V	V										
DS-1200							V			V		V
DS-1201							V			V		V
DS-1202							V			V		V
DX-1000						V			V			
DX-1100						V			V			

V : Compatible

Ordering Information

Model No.	Product Description
CMI-CD100	CMI Module with 4x RS-232/422/485 Serial Ports, 8x Optical Isolated DIO (4 in/4 out)
CMI-ICD100	CMI Module with 4x Electrical Isolated RS-232/422/485 Serial Ports, 8x Optical Isolated DIO (4 in/4 out)
CMI-COM102	CMI Module with 2x RS232/422/485 (Support 5V/12V)
CMI-DIO100	CMI Module with 8x Optical Isolated DIO (4 in/4 out)
CMI-LPPS102	CMI Module with 1x LPT Port, 1x PS/2
CMI-DIO01	CMI Module with 16x Optical Isolated DIO (8 in/8 out)
CMI-DIO02	CMI Module with 16x Optical Isolated DIO (8 in/8 out)
CMI-DIO03	CMI Module with 8x Optical Isolated DIO (4 in/4 out)
CMI-COM01	CMI Module with 2x RS232/422/485 (Support 5V/12V)
CMI-COM02	CMI Module with 4x RS232/422/485 Serial Ports (Support 5V/12V)
CMI-COM03	CMI Module with 2x RS232/422/485 Serial Ports (Support 5V/12V)
CMI-ICOM01	CMI Module with 4x Electrical Isolated RS-232/422/485 Serial Ports (Support 5V/12V)